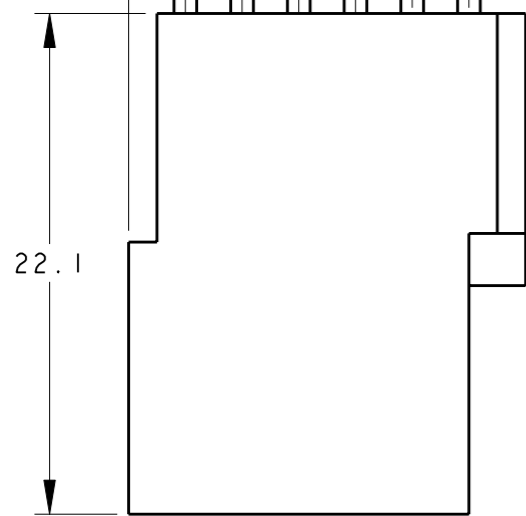


LOC FT DIST 0

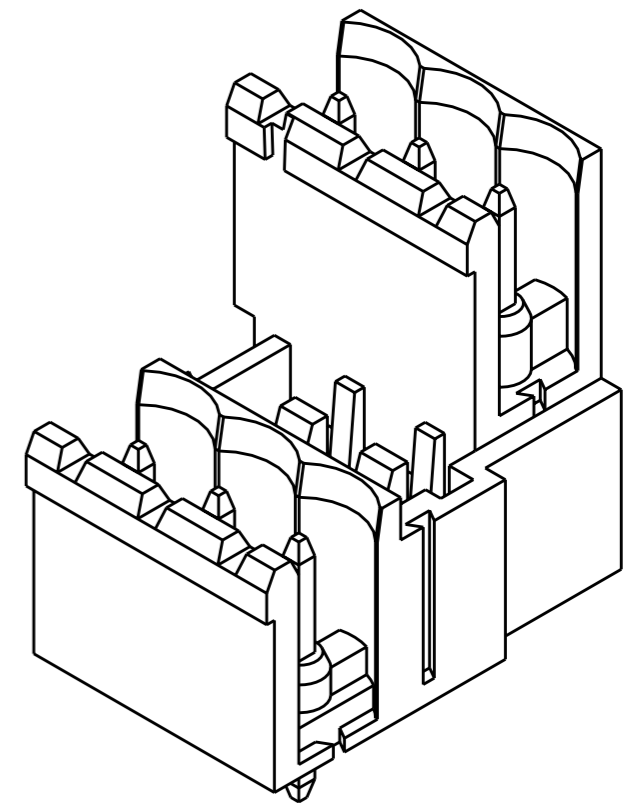
REVISIONS

P	LTR	DESCRIPTION	DATE	DWN	APVD
	D	REVISED PER ECO-08-003242	06FEB2008	SS	CR

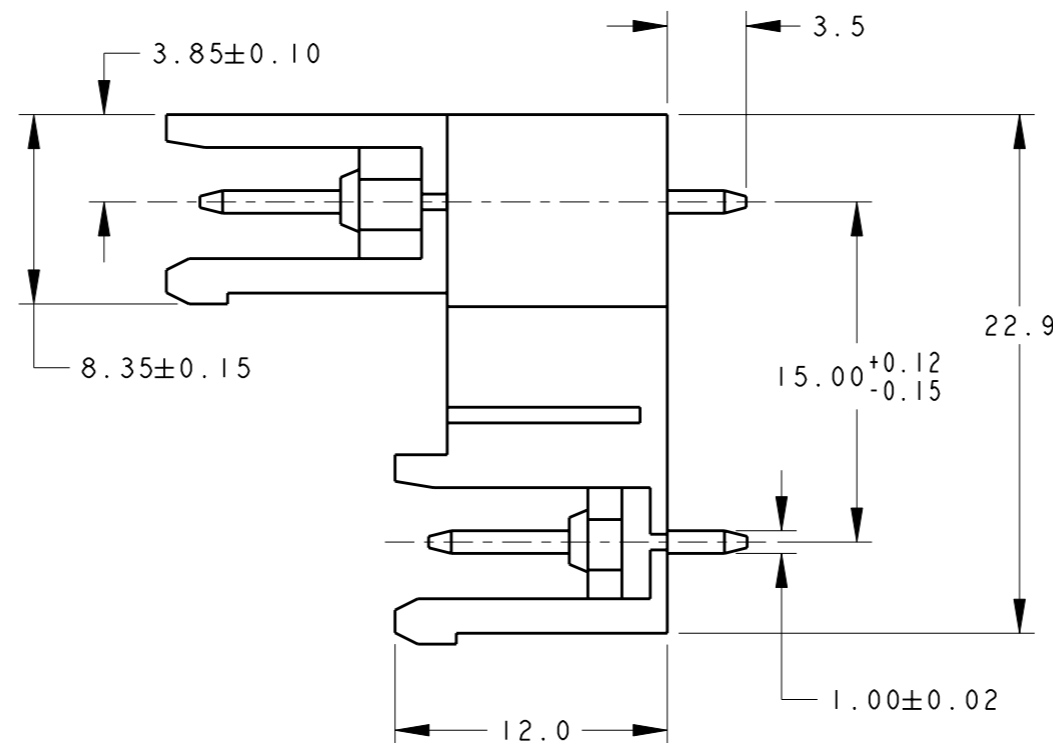
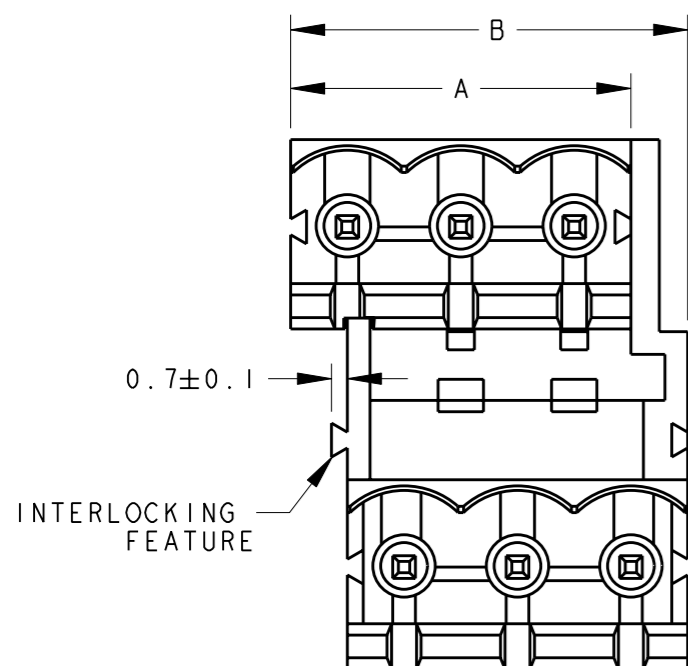
2.50±0.05
2.5 REF
5.00±0.08 $\triangle 4$
1.00±0.02



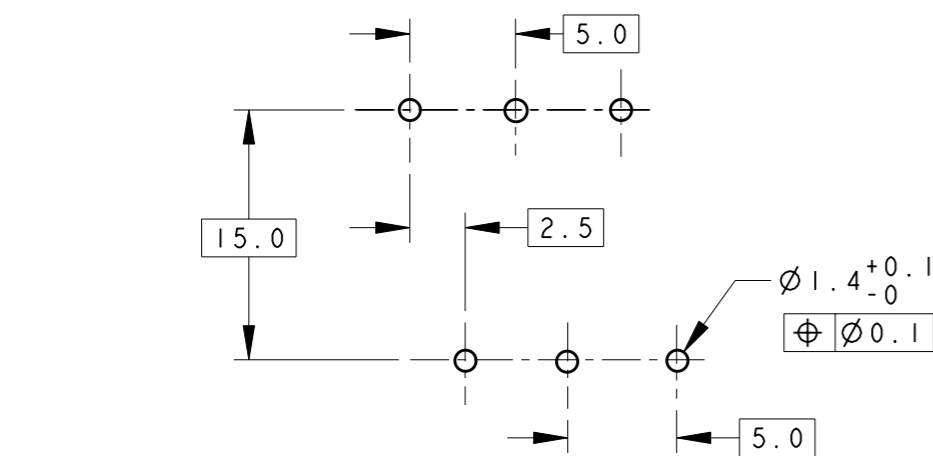
- $\triangle 1$ MATERIALS AND FINISH
HOUSING: PA 6-6, UL 94-V0, COLOR: SEE TABLE.
TERMINAL: PHOSPHOR BRONZE, TIN PLATED.
- 2 SUITABLE FOR 1,6-2,4mm PC BOARD THICKNESS.
- 3 END-TO-END STACKABLE WITHOUT LOSS OF CENTERLINE SPACING.
- $\triangle 4$ NOT CUMULATIVE TOLERANCE.
- $\triangle 5$ PRELIMINARY PART NUMBER.



284056-3 AS SHOWN



$\triangle 5$	BLACK	47.5	45.0	9	1-284056-9
$\triangle 5$	BLACK	32.5	30.0	6	1-284056-6
$\triangle 5$	BLACK	12.5	10.0	2	1-284056-2
$\triangle 5$	GREEN	47.5	45.0	9	284056-9
$\triangle 5$	GREEN	32.5	30.0	6	284056-6
	GREEN	27.5	25.0	5	284056-5
	GREEN	22.5	20.0	4	284056-4
	GREEN	17.5	15.0	3	284056-3
	GREEN	12.5	10.0	2	284056-2
	COLOR	B	A	NO OF POSN	PART NUMBER



RECOMMENDED PC BOARD LAYOUT

<small>THIS DRAWING IS A CONTROLLED DOCUMENT FOR TYCO ELECTRONICS CORPORATION IT IS SUBJECT TO CHANGE AND THE CONTROLLING ENGINEERING ORGANIZATION SHOULD BE CONTACTED FOR THE LATEST REVISION.</small>		DWN 22JAN2002 E. ZANOLINI CHK 22JAN2002 E. ZANOLINI APVD 22JAN2002 D. BLEVENOUR PRODUCT SPEC - APPLICATION SPEC - WEIGHT -		Tyco Electronics Harrisburg, PA 17105-3608 NAME TERMINAL BLOCK MULTIPLE HEADER, 180° STACKING W/INTERLOCK, 5.0mm PITCH	
DIMENSIONS: mm 	TOLERANCES UNLESS OTHERWISE SPECIFIED: 0 PLC ±.3 1 PLC ±.3 2 PLC ±.25 3 PLC ±. 4 PLC ±. ANGLES ±2	SIZE A3 CAGE CODE 00779 DRAWING NO C-284056	RESTRICTED TO -	SCALE 3:1 SHEET 1 OF 1 REV D	CUSTOMER DRAWING